

- J1**
- ← J1-1 24v
 - ← J1-2 0v
 - ← J1-3 NPN photo eye to X7
 - ← J1-4 24v
 - ← J1-5 NPN photo eye to X7
 - ← J1-6 24v
 - ← J1-7 NPN photo eye to X7
 - ← J1-8 NPN photo eye to X7
- J4**
- ← J4-1 24v
 - ← J4-2 0v
 - ← J4-3 NPN photo eye to X7
 - ← J4-4 NPN photo eye to X7
 - ← J4-5 NPN photo eye to X7
 - ← J4-6 NPN photo eye to X7
 - ← J4-7 NPN photo eye to X7
 - ← J4-8 NPN photo eye to X7

- ← J5-1 0VDC
- ← J5-2 Y3
- ← J5-3 X8
- ← J5-4 X2
- ← J5-5 X3
- ← J5-6 24VDC
- ← J5-7 24VDC
- ← J5-8 24VDC
- ← J5-9 24VDC
- ← J5-10 24VDC
- ← J5-11 24VDC
- ← J5-12 24VDC
- ← J5-13 24VDC
- ← J5-14 24VDC
- ← J5-15 24VDC
- ← J5-16 24VDC
- ← J5-17 24VDC
- ← J5-18 24VDC
- ← J5-19 24VDC
- ← J5-20 24VDC
- ← J5-21 24VDC
- ← J5-22 24VDC
- ← J5-23 24VDC
- ← J5-24 24VDC
- ← J5-25 24VDC
- ← J5-26 24VDC
- ← J5-27 24VDC
- ← J5-28 24VDC
- ← J5-29 24VDC
- ← J5-30 24VDC
- ← J5-31 24VDC
- ← J5-32 24VDC

- ← J11-1 0VDC
- ← J11-2 0VDC
- ← J11-3 0VDC
- ← J11-4 0VDC
- ← J11-5 0VDC
- ← J11-6 0VDC
- ← J11-7 0VDC
- ← J11-8 0VDC
- ← J11-9 0VDC
- ← J11-10 0VDC
- ← J11-11 0VDC
- ← J11-12 0VDC
- ← J11-13 0VDC
- ← J11-14 0VDC
- ← J11-15 0VDC
- ← J11-16 0VDC
- ← J11-17 0VDC
- ← J11-18 0VDC
- ← J11-19 0VDC
- ← J11-20 0VDC
- ← J11-21 0VDC
- ← J11-22 0VDC
- ← J11-23 0VDC
- ← J11-24 0VDC
- ← J11-25 0VDC
- ← J11-26 0VDC
- ← J11-27 0VDC
- ← J11-28 0VDC
- ← J11-29 0VDC
- ← J11-30 0VDC
- ← J11-31 0VDC
- ← J11-32 0VDC

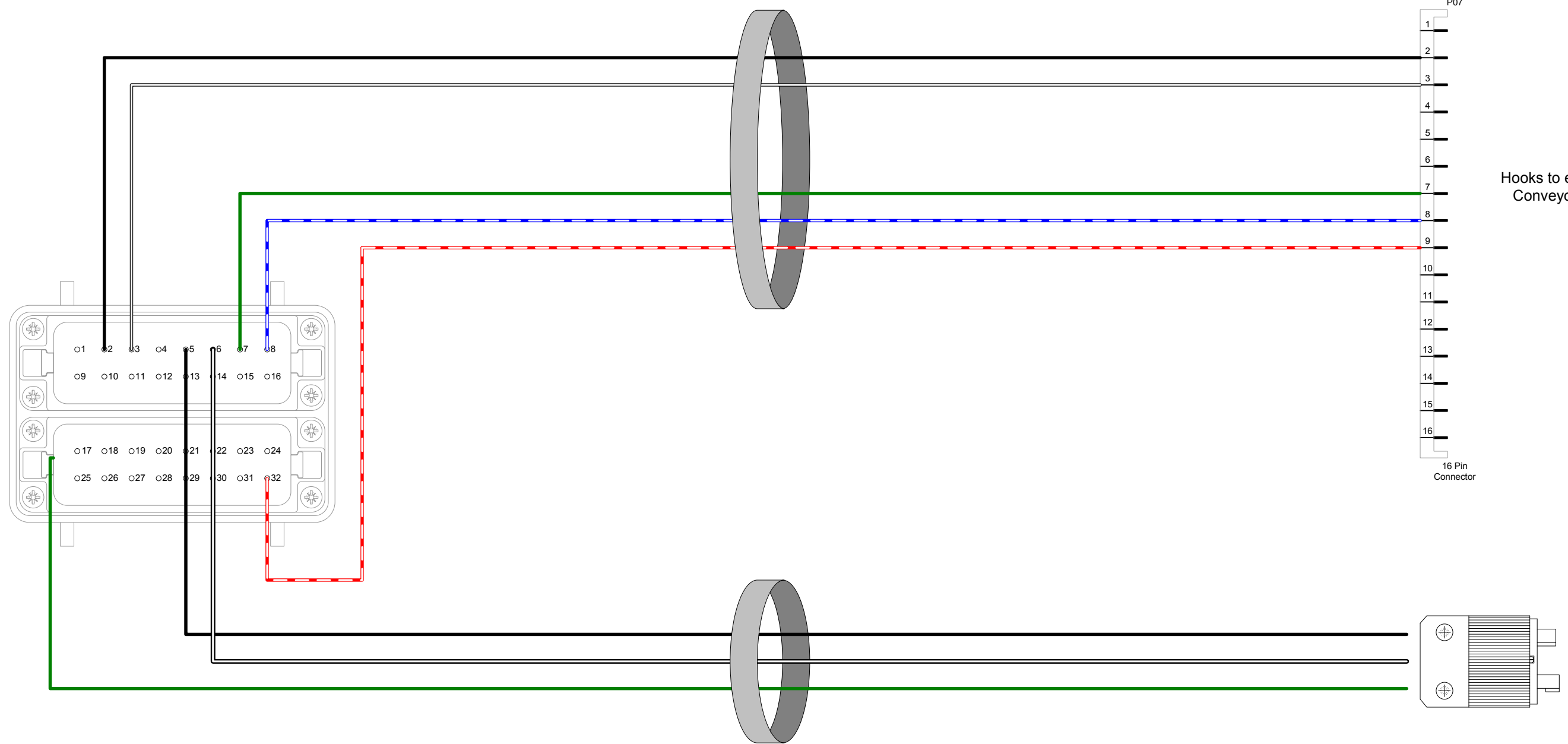
New Analog

New


PlowFold

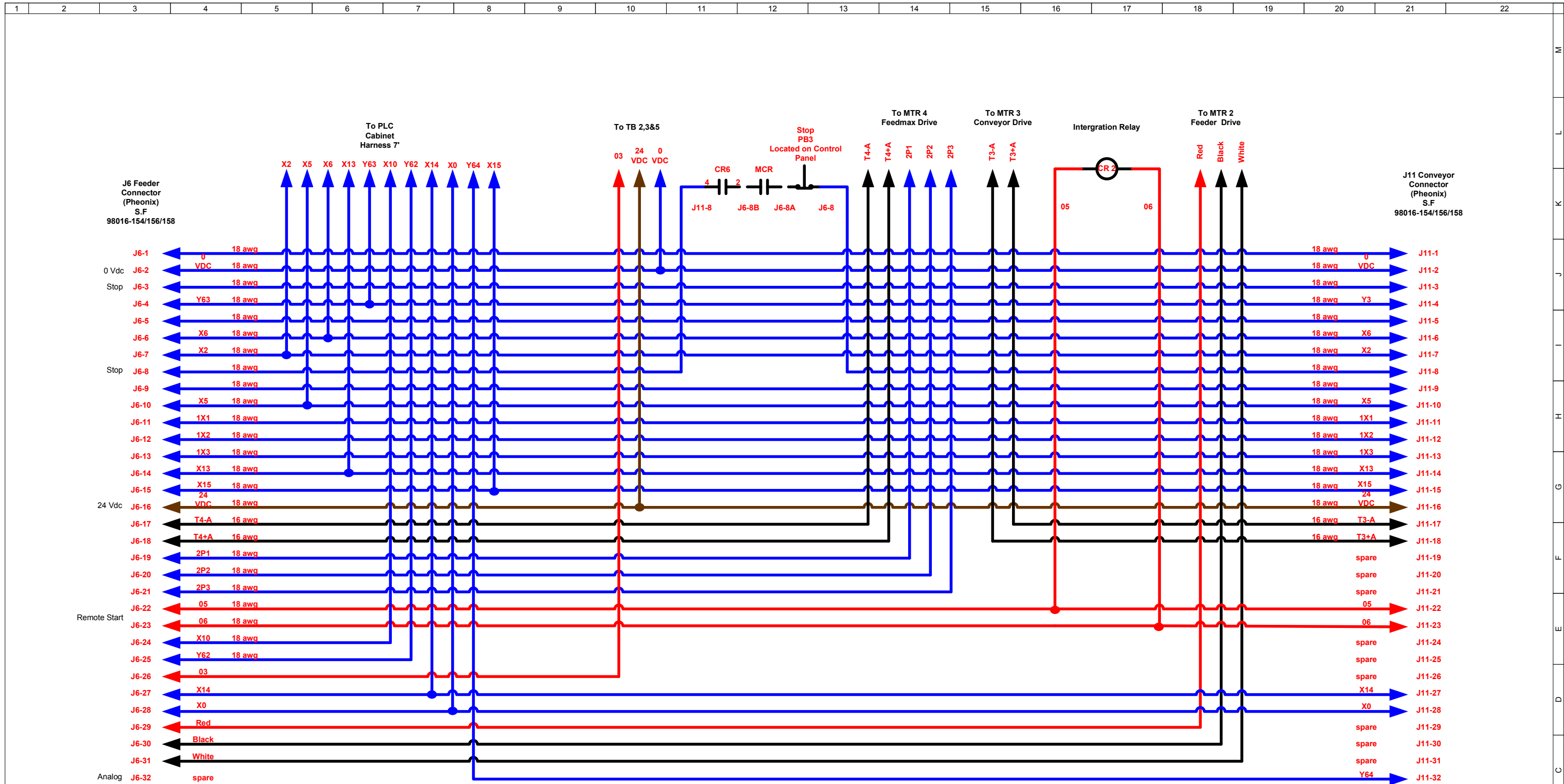
Attacher

Hooks to end Conveyor



CONFIDENTIAL
AND
PROPRIETARY

DATE 1/27/2006	 SURE-FEED ENGINEERING	
CHECKED 5/27/2010	TITLE PlowFold	
DRAWN BY DCARACCILO	DRAWING NUMBER #####	
APR BY	SCALE 1:1	REV -
DATE	Drawing3.vsd	PAGE 2 OF 3



CONFIDENTIAL
AND
PROPRIETARY

DATE	1/27/2006		
CHECKED	5/27/2010		
DRAWN BY	DCARACCILO	TITLE	
APR BY		PlowFold	
DATE		Drawing Number	
		#####	
		SCALE	1: 1
		Drawing3.vsd	PAGE 3 OF 3